

BISLIDE® Side Knob Assembly

The BiSlide Side Knob Assembly is the ideal solution for precision vertical test stands. Smooth precise rotary to linear motion is accomplished using a right angle timing belt drive connected to a fine pitch lead screw.

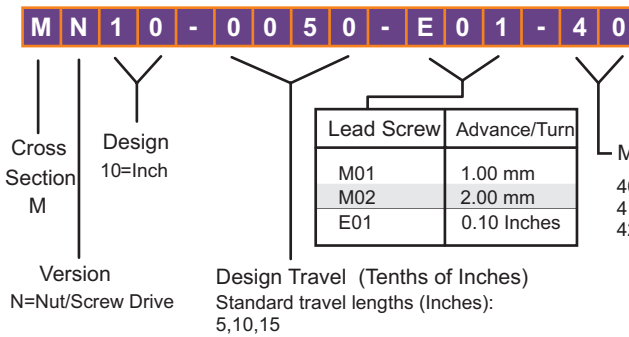
Features:

- 3.15" dia knob with fold in/out crank
- Zero backlash Timing Belt / Fine Pitch Lead Screw Drive
- Locking Knob and Input Knob (knobs reversible, or two input knobs/ no lock)
- 5",10",15", or custom travel
- Direct vertical mounting to horizontal surface (standard BiSlide end mounting)
- Black anodize finish
- 100 lb load capacity



MN10-0100-E01-40
on custom base

MN10-0150-E01-40



Models

xxx=E01,M01,M02
MN10-0050-xxx-40
MN10-0100-xxx-40
MN10-0150-xxx-40
MN10-0050-xxx-42
MN10-0100-xxx-42
MN10-0150-xxx-42

MN10-0050-xxx-41
MN10-0100-xxx-41
MN10-0150-xxx-41

Price

\$863
\$909
\$941
\$888
\$934
\$966



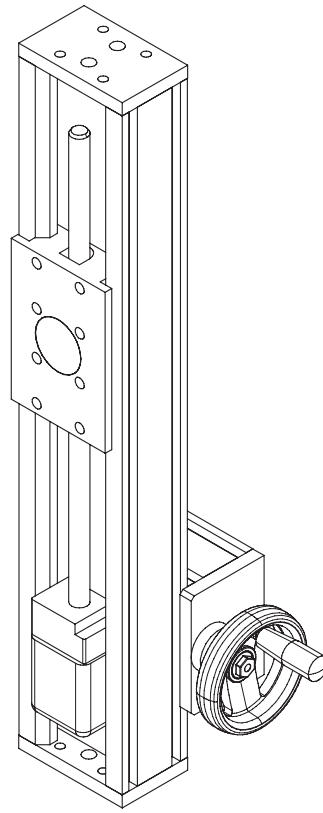
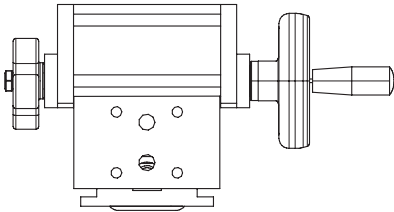
7550 State Rt. 5 & 20 Bloomfield NY 14469
Tel: 585-657-6151 Fax: 585-657-6153

Internet: www.bislide.com
www.velmex.com

Email: bislide@velmex.com

BISLIDE®

Side Knob Assembly



Refer to BiSlide Assemblies Catalog for additional (standard) dimensions

